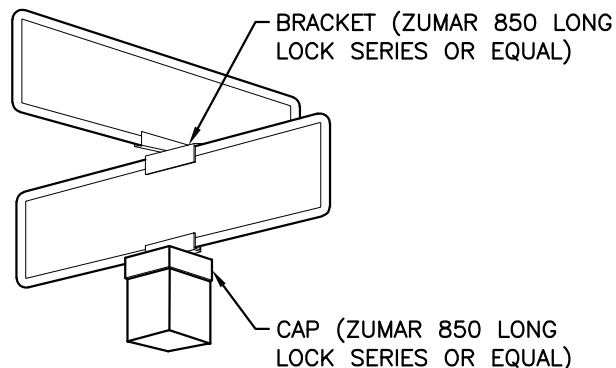


NOTES:

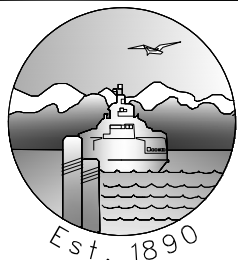
- * THE ADDRESS NUMBERS SHOULD BE 3" HIGH REFLECTIVE WHITE VINYL SET ON A ENGINEERING GREEN VINYL BACKGROUND.
- * ADDRESS SIGN REQUIRED WHEN ADDRESS CAN NOT BE SEEN FROM THE STREET AND PLACED ON 4"x4" TREATED WOOD POST. (SIGN TO BE PRODUCED BY CITY)
- * HEIGHT TO BOTTOM OF SIGN SHALL BE 30".



SIGN TYPE	A	B	C	D	E	F	G
POST MOUNTED 25 & 30 MPH	30" MIN	6"	.5"	1.5"	1.5" MIN	4" C	6" C
MOUNTED 35 MPH	VAR	9"	.5"	2.5"	4" MIN	4.5" C	6" C
MOUNTED STATE ROUTE	VAR	9"	.5"	2.5"	5.3" MIN	6" C	8" C
OVERHEAD(SIGNAL MAST ARMS)	VAR	16"	.5"	3.5"	6" MIN	9" C	12" C

NOTES:

1. MATERIAL – .080 FLAT ALUMINUM ROUNDED CORNERS WITH HIGH INTENSITY/PRISMATIC DIAMOND GRADE SHEETING.
 2. COLOR – GREEN BACKGROUND WITH WHITE LETTERS, NUMBERS AND BORDER ON BOTH SIDES OF THE SIGN.
 3. TEXT SHALL BE FHWA D SERIES FONT AND LAID OUT AS PER THE STANDARD HIGHWAY SIGNS AND MARKING (SHSM) BOOK.
 3. ALL LETTERING SHALL BE COMPOSED OF UPPER AND LOWER CASE LETTERS.
 4. ALL MOUNTED SIGNS FACING TRAFFIC ON 35 MPH STREETS SHALL HAVE THE NAME OF THE STREET IN 6" LETTERING.
 5. ALL MOUNTED SIGNS FACING TRAFFIC ON STATE ROUTE SHALL HAVE THE NAME OF THE STREET IN 6" LETTERING INCLUDING, TYPE ABBREVIATED AS (ST, AVE, DR, PL, WAY, CIR, ETC) AND GEOGRAPHIC DELINEATORS (W AND SW).
 6. ALL OVERHEAD MOUNTED (TRAFFIC SIGNAL MAST ARMS) SIGNS SHALL HAVE THE NAME OF THE STREET IN 12" LETTERING.
- * VARIABLE LENGTHS REQUIRED FOR NAMED STREETS.



CITY OF EDMONDS
PUBLIC WORKS
DEPARTMENT

**STREET NAME SIGN AND
FIRE-AID ADDRESS AND
POST MOUNTING DETAIL**

APPROVED BY: R. ENGLISH

REVISION DATE
OCTOBER 2018

STANDARD
DETAIL
TR-570